

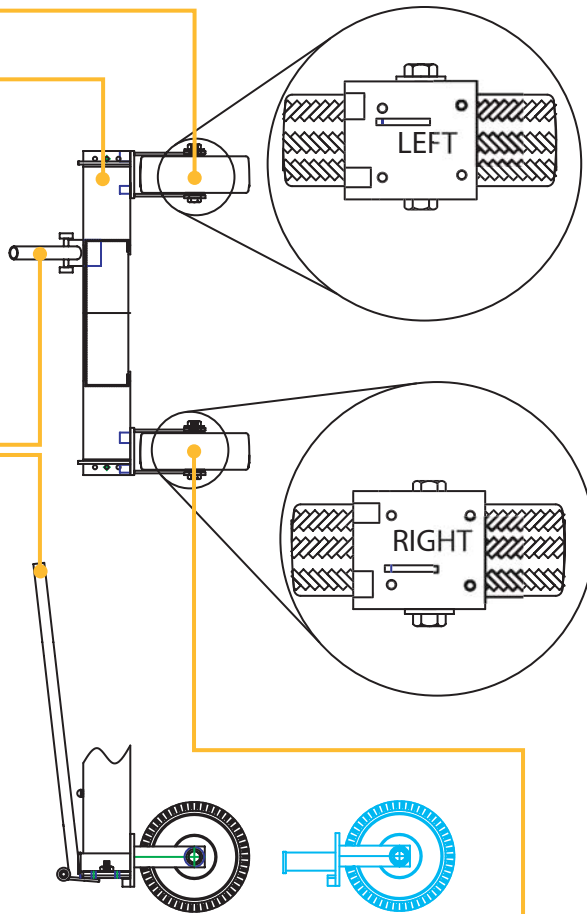
Wheel Set Installation Instructions

1. Install Left Wheel

Lift the lathe corner using the Lifter (supplied), and install the **left** wheel

Front Leg

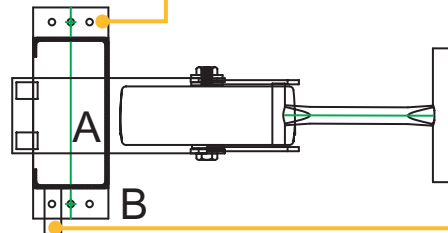
Lifter



3. Shim the Rear Leg

Lift at A (as shown) and insert a 3/8 or 1/2 inch **shim** at B (this allows lifter entry)

Rear Leg

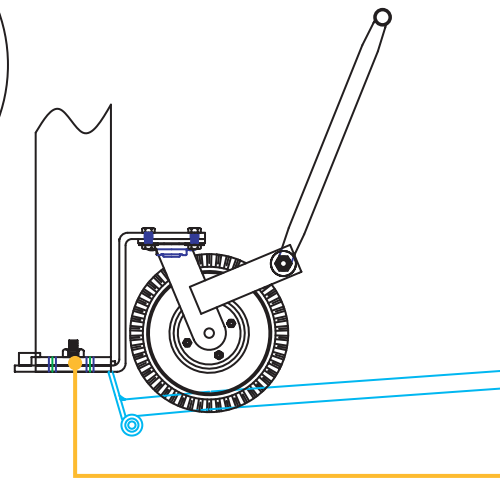


2. Install Right Wheel

Lift the opposite corner, and install the **right** wheel

4. Install Rear Leg

Insert the Lifter at B and lift the rear leg.
Install the rear wheel as shown



ONEWAY
MANUFACTURING

www.oneway.ca